



HIGH QUALITY PNEUMATIC ACTUATOR & VALVE

High Quality Pneumatic Actuator & Valve



Ball Valve, Butterfly Valve, Plug Valve, Damper Control

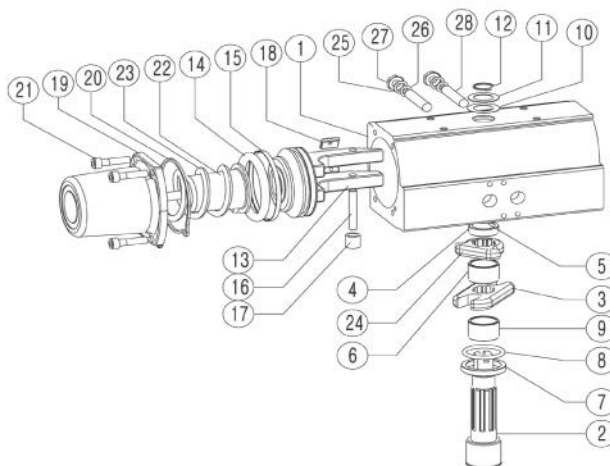


● Features

- Scotch - Yoke type
- No metal to metal touch
- I S O 5211, D I N 3337
- Anodized surface & double coated interior

● Specification

Item	AS40	AS50	AS65	AS80	AS100	AS125	AS140	AS160	AS200
Operating Type	R&P	Scotch - Yoke							
Operating Media	Compressed Dry Air								
Operating Pressure	4.5 ~ 7kg/cm ²								
Rotating Angle	90° ±5°								
Operating Temperature	-10°C ~ 60°C								
Weight (kg)	0.7	1.7	3.4	5.7	10.6	17.9	25.2	36.8	76.9



● Part and Material

No.	Part Name	Materials	No.	Part Name	Materials
1	Body	Aluminum Alloy	15	Piston Guide-ring	Engineering Plastic
2	Shaft	Steel Alloy (Nickel plated)	16	Piston Pin	Steel Alloy
3	Crank	Steel Alloy	17	Piston Roller	Steel Alloy
4	Bushing(Top)	Engineering Plastic	18	Piston Pad	Engineering Plastic
5	Body O-Ring(Top)	NBR	19	Cover	Aluminum Alloy
6	Shaft Roller(Top)	Engineering Plastic	20	Cover O-ring	NBR
7	Bushing(Bottom)	Engineering Plastic	21	Cover Bolt	Steel Alloy
8	Body O-Ring(Bottom)	NBR	22	Spring Cap	Engineering Plastic
9	Shaft Roller(Bottom)	Engineering Plastic	23	Spring	Steel Alloy
10	Body Washer(Bottom)	Engineering Plastic	24	Stopper	Steel Alloy
11	Body Washer(Top)	Stainless Steel	25	Adjust Washer	Stainless Steel
12	Body Snap-ring	Stainless Steel	26	Adjust O-ring	NBR
13	Piston	Aluminum Alloy	27	Adjust Nut	Stainless Steel
14	Piston O-ring	NBR	28	Adjust Bolt	Steel Alloy

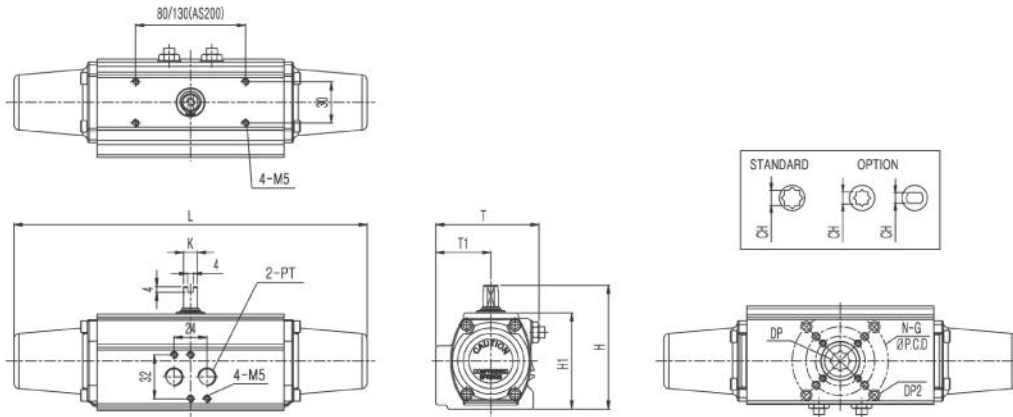
AS SERIES

ROTARY ACTUATOR / SINGLE ACTING

● Torque Table

unit : N-m

Model	Angle	Spring Torque Middle		Spring Torque Strong		Model	Angle	Spring Torque Middle		Spring Torque Strong	
		Spring to	Air to 4.5	Spring to	Air to 6			Spring to	Air to 6		
AS40	0°	4	6	5	8	AS125	0°	230	380	300	510
	45°	3	3	4	4		45°	190	190	260	260
	90°	6	4	8	5		90°	380	230	510	300
AS50	0°	14	26	17	34	AS140	0°	300	550	410	730
	45°	12	12	15	15		45°	290	290	340	340
	90°	26	14	34	17		90°	550	300	730	410
AS65	0°	35	54	48	70	AS160	0°	550	750	770	1150
	45°	23	28	37	32		45°	420	420	560	560
	90°	54	35	70	48		90°	750	550	1150	770
AS80	0°	60	100	80	130	AS200	0°	1050	1620	1420	2170
	45°	50	50	70	70		45°	940	940	1260	1260
	90°	100	60	130	80		90°	1620	1050	2170	1420
AS100	0°	100	190	130	240	AS200D	0°	1890	2916	2556	3906
	45°	80	80	110	110		45°	1692	1692	2268	2268
	90°	190	100	240	130		90°	2916	1890	3906	2556



● Dimension

(mm)

MODEL	ISO	ØP.C.D	N-G	DP2(TAP)	K	L	T	T1	H	H1	2-PT	CH	CH(OPT)	DP
AS40	F03/F05	36/50	4-M5/M6	8/12	9	108	60	35	74	54	1/8"	9×9	-	12
AS50	F03/F05/F07	36/50/70	4-M5/M6/M8	10/12/13	10	257	75	40	90	70	1/4"	11×11	14×14	14
													9.7×Ø15	14
AS65	F05/F07	50/70	4-M6/M8	14/13	13	314	89	46	107	87	1/4"	14×14	11.7×Ø17	17
												-	9.7×Ø15	14
AS80	F07	70	4-M8	12	17	430	101	50	126	106	1/4"	17×17	14.7×Ø19	19
AS100	F07/F10	70/102	4-M8/M10	17/21	22	500	129	62	148	128	1/4"	22×22	17.7×Ø22	26
AS125	F07/F10	70/102	4-M8/M10	17/21	22	606	151	72	174	154	1/4"	22×22	-	26
AS140	F10/F12	102/125	4-M10/M12	22/27	24	682	164	77	192	172	1/4"	27×27	22×22	30
AS160	F14	140	4-M16	27	32	781	189	89	216	196	1/4"	36×36	27×27	30
	F10/F12(OPT)	102/125	4-M10/M12	-										
AS200	F16/F14(OPT)	165/(140)	4-M20/(M16)	32	36	982	231	115	284	254	1/4"	46×46	36×36	60

SAMPLES



Flanged Ball Valve (Double)



Plastic Ball Valve(Double)



Butterfly Valve (Double)



Butterfly Valve (Single)



3-Piece Screwed Ball Valve (Double)



Plastic Butterfly Valve(Double)

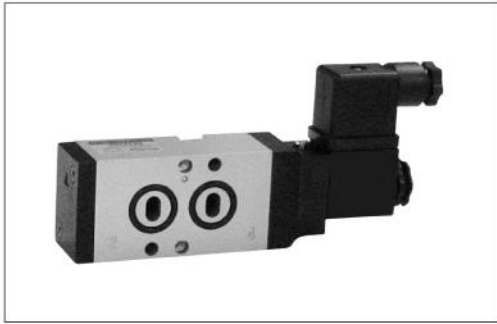


1-Piece Screwed Ball Valve



3-Way Flanged Ball Valve

ACCESSORIES



Solenoid Valve Namur-ISO



Limit Switch Box



E/P Positioner



Ball Valve Mounting Brackets



Declutchable Manual Gear Box



Air Filter Regulator

