



HIGH QUALITY PNEUMATIC ACTUATOR & VALVE

High Quality Pneumatic Actuator & Valve



Ball Valve, Butterfly Valve, Plug Valve, Damper Control

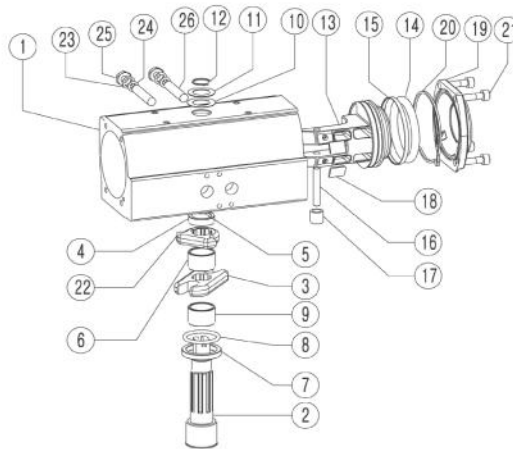


● Features

- Scotch - Yoke type
- No metal to metal touch
- I S O 5211, D I N 3337
- Anodized surface & double coated interior

● Specification

Item	AD32	AD40	AD50	AD65	AD80	AD100	AD125	AD140	AD160	AD200
Operating Type	R&P		Scotch - Yoke							
Operating Media	Compressed Dry Air									
Operating Pressure	4 ~ 7kg/cm ²									
Rotating Angle	90° ±5°									
Operating Temperature	-10°C ~ 60°C									
Weight (kg)	0.25	0.7	1.6	2.7	4.3	7.5	11.6	18.9	26.3	47.2



● Part and Material

No.	Part Name	Materials	No.	Part Name	Materials
1	Body	Aluminum Alloy	14	Piston O-ring	NBR
2	Shaft	Steel Alloy (Nickel plated)	15	Piston Guide-ring	Engineering Plastic
3	Crank	Steel Alloy	16	Piston Pin	Steel Alloy
4	Bushing(Top)	Engineering Plastic	17	Piston Roller	Steel Alloy
5	Body O-Ring(Top)	NBR	18	Piston Pad	Engineering Plastic
6	Shaft Roller(Top)	Engineering Plastic	19	Cover	Aluminum Alloy
7	Bushing(Bottom)	Engineering Plastic	20	Cover O-ring	NBR
8	Body O-Ring(Bottom)	NBR	21	Cover Bolt	Steel Alloy
9	Shaft Roller(Bottom)	Engineering Plastic	22	Stopper	Steel Alloy
10	Body Washer(Bottom)	Engineering Plastic	23	Adjust Washer	Stainless Steel
11	Body Washer(Top)	Stainless Steel	24	Adjust O-ring	NBR
12	Body Snap-ring	Stainless Steel	25	Adjust Nut	Stainless Steel
13	Piston	Aluminum Alloy	26	Adjust Bolt	Steel Alloy

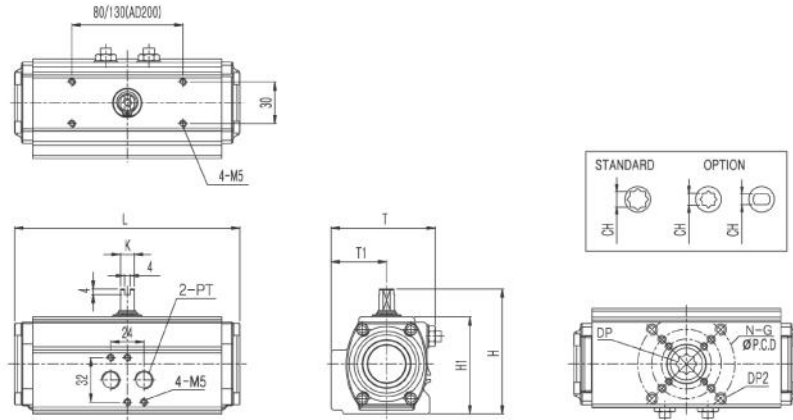
AD SERIES

ROTARY ACTUATOR / DOUBLE ACTING

● Torque Table

unit : N-m

Model	Angle	4bar	5bar	6bar	Model	Angle	4bar	5bar	6bar
AD32	0°	7.0	9.0	11.0	AD125	0°	551	678	794
	45°	24.0	30.0	36.0		45°	360	443	531
	90°	85.0	107.0	127.0		90°	491	613	732
AD40	0°	8	10	11	AD140	0°	754	923	1097
	45°	8	10	11		45°	455	582	668
	90°	8	10	11		90°	720	880	970
AD50	0°	28	37	41	AD160	0°	1062	1312	1600
	45°	21	26	30		45°	758	949	1133
	90°	38	40	52		90°	1320	1635	2027
AD65	0°	78	95	116	AD200	0°	2600	3200	4820
	45°	49	63	73		45°	1500	1950	2400
	90°	71	93	107		90°	2300	2900	3450
AD80	0°	143	183	210	AD200D	0°	4680	5760	6876
	45°	92	121	144		45°	2700	3510	4320
	90°	133	156	209		90°	4140	5220	6210
AD100	0°	247	292	368					
	45°	165	196	250					
	90°	237	301	363					



● Dimension

(mm)

MODEL	ISO	ØP.C.D	N-G	DP2(TAP)	K	L	T	T1	H	H1	2-PT	CH	CH(OPT)	DP
AD32	F03	36	4-M5	9	8	70	45	25	55	45	1/8"	9×9	-	10
AD40	F03/F05	36/50	4-M5/M6	8/12	9	108	60	35	74	54	1/8"	9×9	-	12
AD50	F03/F05/F07	36/50/70	4-M5/M6/M8	10/12/13	10	162	75	40	90	70	1/4"	11×11	14×14 9.7×Ø15	14 14
AD65	F05/F07	50/70	4-M6/M8	14/13	13	202	89	46	107	87	1/4"	14×14 -	11.7×Ø17 9.7×Ø15	17 14
AD80	F07	70	4-M8	12	17	262	101	50	126	106	1/4"	17×17	14.7×Ø19	19
AD100	F07/F10	70/102	4-M8/M10	17/21	22	311	129	62	148	128	1/4"	22×22	17.7×Ø22	26
AD125	F07/F10	70/102	4-M8/M10	17/21	22	390	151	72	174	154	1/4"	22×22	-	26
AD140	F10/F12	102/125	4-M10/M12	22/27	24	431	164	77	192	172	1/4"	27×27	22×22	30
AD160	F14	140	4-M16	27	32	506	189	89	216	196	1/4"	36×36	27×27	30
	F10/F12(OPT)	102/125	4-M10/M12	-										
AD200	F16/F14(OPT)	165/(140)	4-M20/(4-M16)	32	36	605	231	115	284	254	1/4"	46×46	36×36	60

SAMPLES



Flanged Ball Valve (Double)



Plastic Ball Valve(Double)



Butterfly Valve (Double)



Butterfly Valve (Single)



3-Piece Screwed Ball Valve (Double)



Plastic Butterfly Valve(Double)

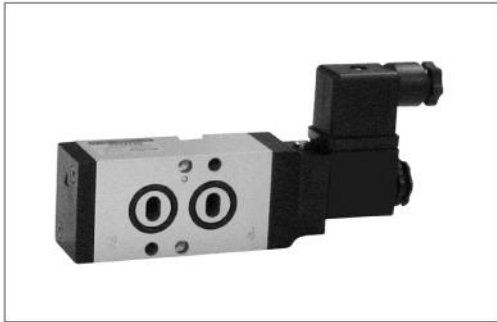


1-Piece Screwed Ball Valve



3-Way Flanged Ball Valve

ACCESSORIES



Solenoid Valve Namur-ISO



Limit Switch Box



E/P Positioner



Ball Valve Mounting Brackets



Declutchable Manual Gear Box



Air Filter Regulator





Automa Co., Ltd.

Automa Bldg.#46-13, Wonmi-Dong, Wonmi-Gu,
Bucheon-City, Gyeonggi-Do, Korea(420-110)

Tel : +82-(0)32-653-6477

Fax : +82-(0)32-653-6478

<http://www.automa.co.kr>

※ The product is subject to change for technical development and quality improvement without prior notice.